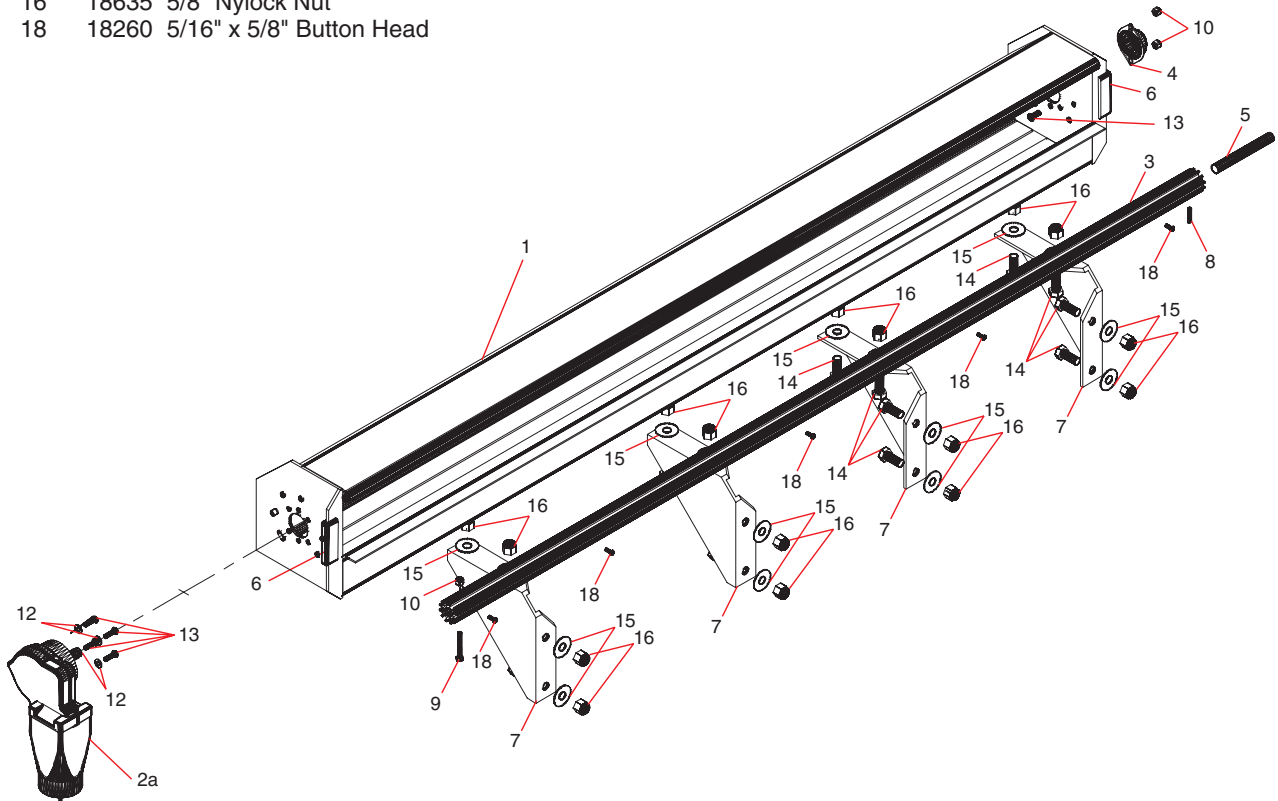


Tarp Spool Parts & Diagrams

Tarp Spool w/ Housing

Diagram Covers the Following Spool Kits from p. 8:
 36010, 36060, 36110 TarpMaster® Tarp Spool w/ Housing
 36020, 36070, 36120 Super Duty Tarp Spool w/ Housing

Ref#	Part#	Description
1a	36150	92" Tarp Spool Housing (Shell Only)
1b	36160	98" Tarp Spool Housing (Shell Only)
1c	36170	104" Tarp Spool Housing (Shell Only)
2a	10310	Gear Motor, TarpMaster®
3a	31020	91" Pre-Threaded Tarp Axle w/ Stub Shaft
3b	31030	97" Pre-Threaded Tarp Axle w/ Stub Shaft
3c	31040	103" Pre-Threaded Tarp Axle w/ Stub Shaft
4	31050	3/4" Axle Bearing w/ Flanges (Each, Includes Mounting Bolts)
5	10160	3/4" x 5 1/2" Axle Stub Shaft
6	36300	Rubber Bumper for Tarp Spool
7	36850	Aluminum Housing Support Braces
8	18370	5/16" x 1 1/4" Spring Pin
9	18280	5/16" x 2 1/2" Bolt
10	18613	5/16" Nylock Nut
12	18400	5/16" Flat Washer
13	18210	5/16" x 7/8" Button Head Bolt
14	18710	5/8" x 1 1/2" Hex Head Bolt
15	18414	5/8" USS Flat Washer
16	18635	5/8" Nylock Nut
18	18260	5/16" x 5/8" Button Head



(3) The TarpMaster® is recommended for systems using Up To 24 feet of tarp.

Some components may be available in steel, please call for details.

Roll-Rite® — Clearly the Best.

1-800-297-9905

Prices are listed as each unless otherwise indicated.
 All prices subject to change without notice.