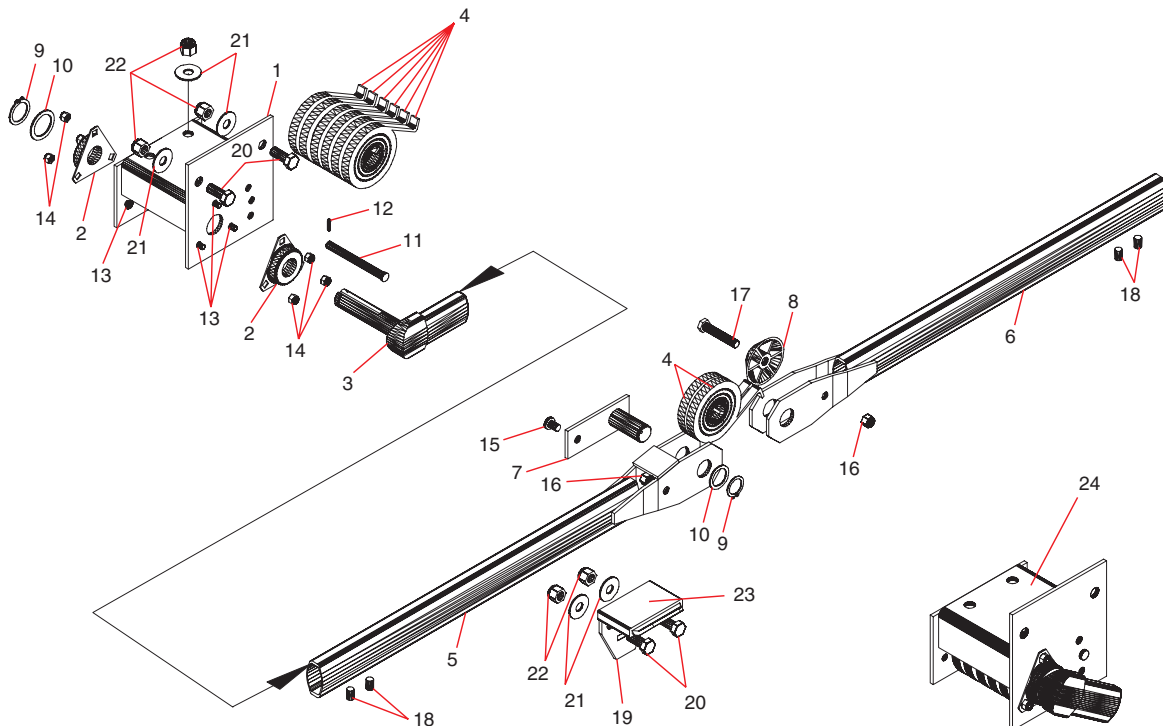


Under Body Mount Knuckle Arm Pivot Parts

Diagram Covers the Following Pivot Sets from p. 9:

46540, 46840 Aluminum Under Body Mount Knuckle Pivot Sets

Ref#	Part#	Description
1a	46010	Bracket for 6-Spring Under-Body Pivots (Driver Side)
1b	46020	Bracket for 6-Spring Under-Body Pivots (Passenger Side)
2	47800	1 1/4" Carrier Bearing w/ Triangular Flange for Roller-Bearing Pivots
3a	46360	Pivot Pin for 6-Spring Under-Body—includes 47000 & 47010 (Driver Side)
3b	46370	Pivot Pin for 6-Spring Under-Body—includes 47000 & 47010 (Passenger Side)
4	47230	Spiral Torsion Spring (Fits All Roll-Rite Pivots w/ 1 1/4" Pivot Pins)
5a	46510	Aluminum 60" Base Pivot Tube w/ Side Plates and Set Screws for 60" Knuckle Pivot
5b	46810	Aluminum 84" Base Pivot Tube w/ Side Plates and Set Screws for 84" Knuckle Pivot
6a	46520	Aluminum 60" Upper Pivot Tube w/ Side Plates and Set Screws for 60" Knuckle Pivot
6b	46820	Aluminum 84" Upper Pivot Tube w/ Side Plates and Set Screws for 84" Knuckle Pivot
7a	46910	Knuckle Pin for All Knuckle Pivots—includes 47000 & 47010 (Driver Side)
7b	46920	Knuckle Pin for All Knuckle Pivots—includes 47000 & 47010 (Passenger Side)
8	47100	Knuckle Bow Bumper— includes bolt & nut
9	47000	Snap Ring for Pivot Pins
10	47010	Machinery Bushing for Pivot Pins
11	18540	1/2" x 5-1/4" Clevis Pin
12	18299	1/8" x 1" Cotter Pin
13	18240	3/8" x 7/8" Button Head Bolt
14	18625	3/8" Nylock Nut
15	18295	1/2" x 1-1/4" Button Head Bolt
16	18631	1/2" Nylock Nut
17	18297	1/2" x 2 3/4" Bolt
18	18293	1/2" x 3/8" Set Screw
19	46950	Aluminum Stop Bracket
20	18710	5/8" x 1 1/2" Bolt
21	18414	5/8" USS Flat Washer
22	18635	5/8" Nylock Nut
23	47110	Rubber Pad for Stop Bracket
24a	46070	Assembled 6-Spring Under-Body Pivot w/o Tube (Driver Side, Each)
24b	46080	Assembled 6-Spring Under-Body Pivot w/o Tube (Passenger Side, Each)



Prices are listed as each unless otherwise indicated.
All prices subject to change without notice.

Roll-Rite® — Clearly the Best.
1-800-297-9905