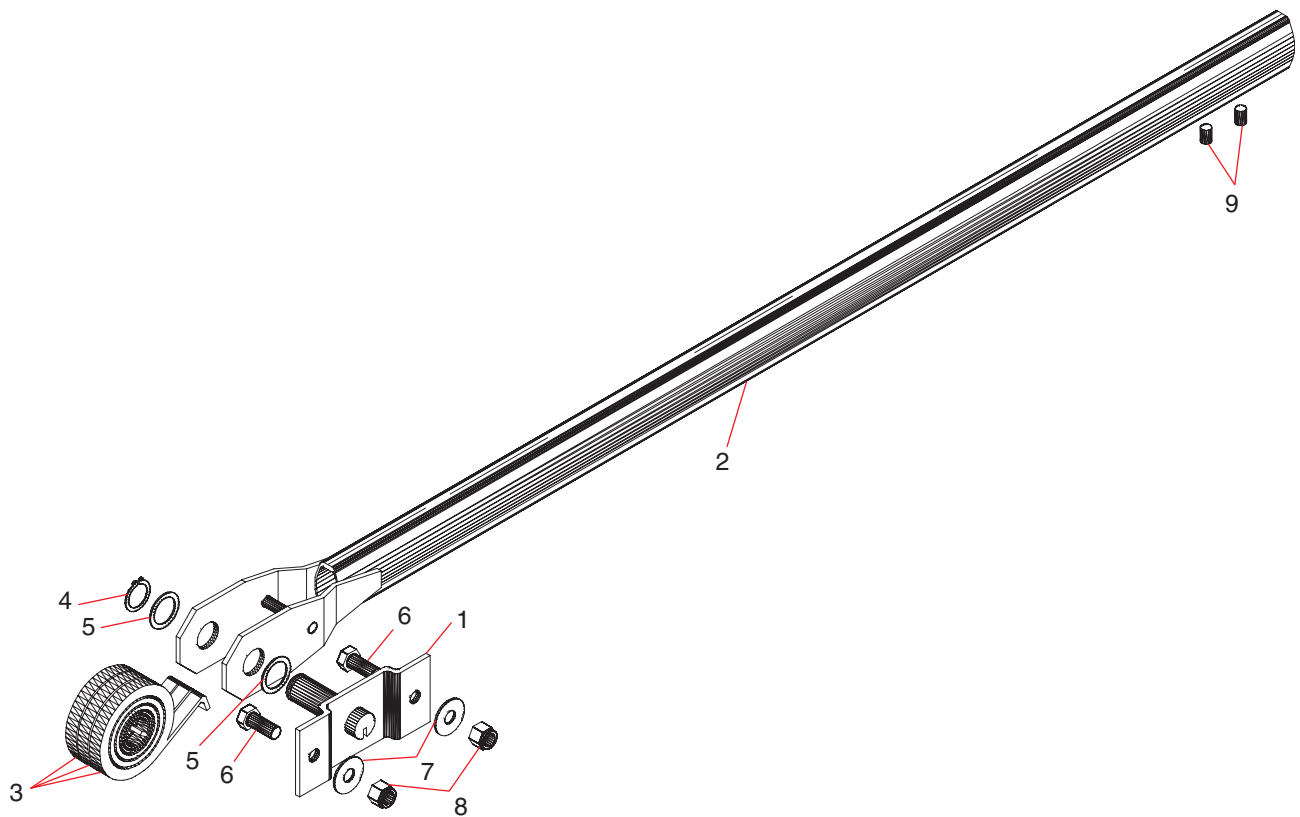


External Mount Pivot Parts

Diagram Covers the Following Pivot Set from p. 4-5:

46430 External Mount Pivot Sets

| Ref# | Part# | Description |
|------|-------|--|
| 1 | 45330 | 3-Spring Pivot Pin—includes a 47000 & 2-47010 (Steel or Alum. External Mounts) |
| 2 | 46130 | Pivot Arm w/ Side Plates and Set Screws for 3-Spring External Mount (48") |
| 3 | 47230 | Spiral Torsion Spring (Fits All Roll-Rite Pivots w/ 1 1/4" Pivot Pins) |
| 4 | 47000 | Snap Ring for Pivot Pins |
| 5 | 47010 | Machinery Bushing for Pivot Pins |
| 6 | 18710 | 5/8" x 1-1/2" Hex Head Bolt |
| 7 | 18414 | 5/8" USS Flat Washer |
| 8 | 18635 | 5/8" Nylock Nut |
| 9 | 18293 | 1/2" x 3/8" Set Screw |



Some components may be available in steel, please call for details.

Prices are listed as each unless otherwise indicated.
All prices subject to change without notice.

Roll-Rite® — Clearly the Best.
1-800-297-9905