

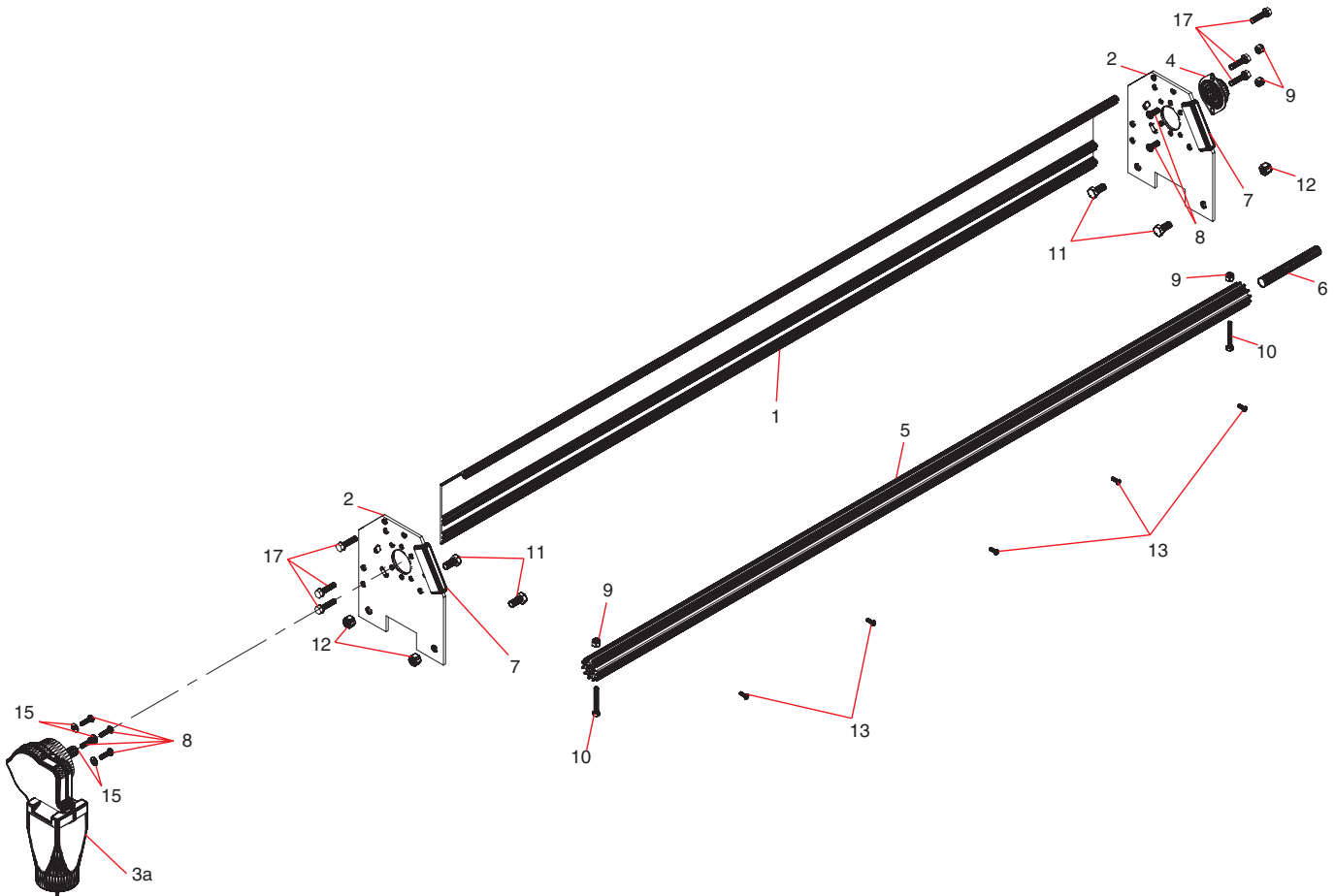
Tarp Spool w/ Wind Deflector & Tarp Spool Only

Diagram Covers the Following Spool Kits from p. 4-5:

36370 Tarp Spool

36460 Tarp Spool w/ Wind Deflector

Ref. #	Part #	Description
1	36360	97" One-Piece Wind Deflector w/ Self-Threading Mounting Bolts
2	36340	Tarp Spool Mounting Brackets
3	10310	Gear Motor, TarpMaster®
4	31050	3/4" Axle Bearing w/ Flanges (Includes Mounting Bolts)
5	31030	97" Pre-Threaded Tarp Axle w/ Stub Shaft
6	10160	3/4" x 5 1/2" Axle Stub Shaft
7	36300	Rubber Bumper for Tarp Spool
8	18210	5/16" x 7/8" Button Head Bolt
9	18613	5/16" Nylock Nut
10	18280	5/16" x 2 1/2" Bolt
11	18294	1/2" x 1" Hex Head Bolt
12	18631	1/2" Nylock Nut
13	18260	5/16" x 5/8" Button Head Bolt
15	18400	5/16" 8 Flat Washer
17	18120	3/8" x 1 1/2" Thread Cutting Screw, Hex Washer Head Bolt



Some components may be available in steel, please call for details.

Roll-Rite® — Clearly the Best.

1-800-297-9905

Prices are listed as each unless otherwise indicated.
All prices subject to change without notice.