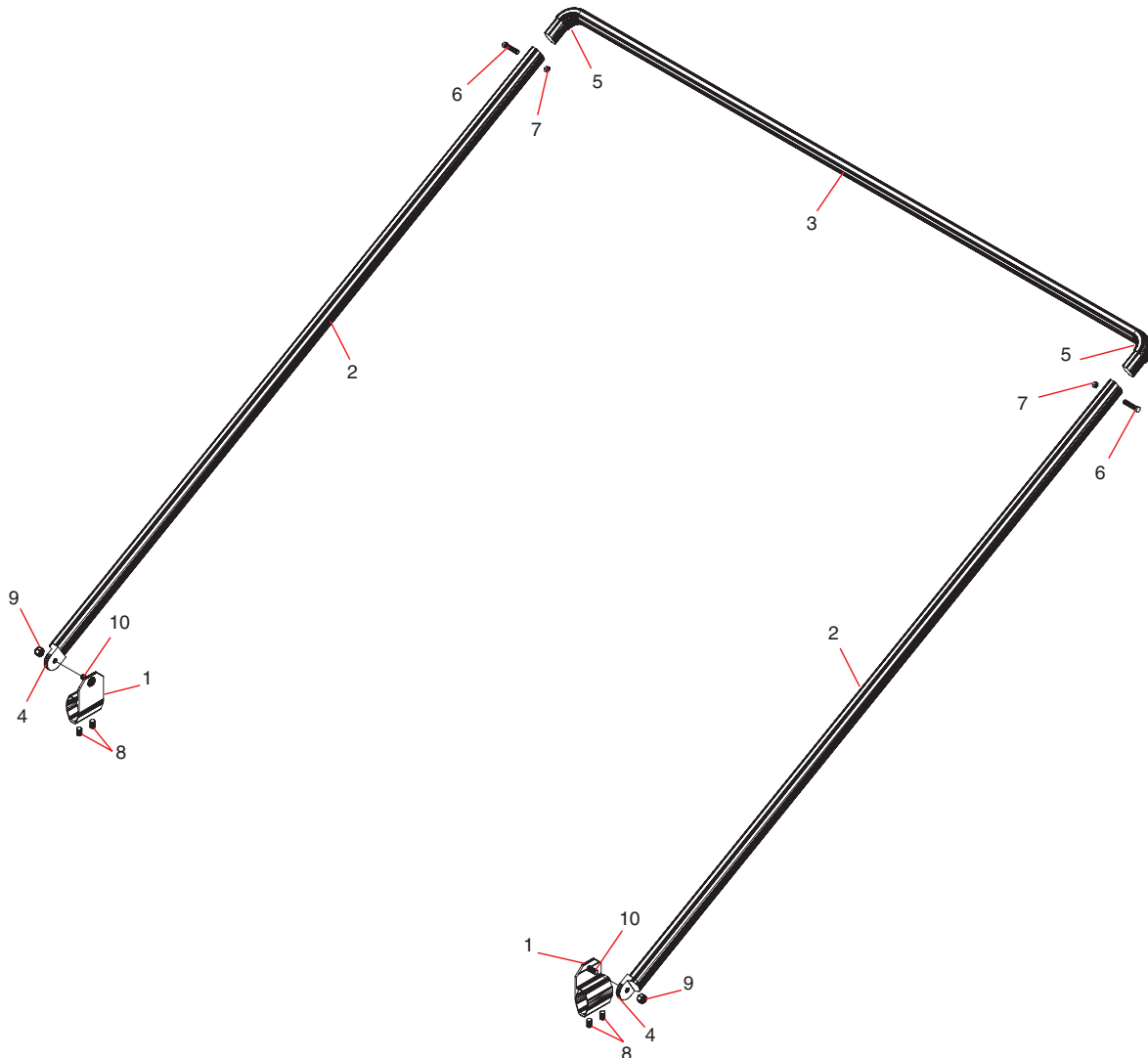


## Tension Bow

Diagram Covers the Following Bow Set from p. 5:

### 76710 Tension Bow Set

Ref#	Part#	Description
1	76830	Tension Bow Mounting Bracket
2	76780	Side Arm w/ End Tab for Tension Bow (98" + tab)
3	76790	Standard Top Tube w/ Corners for Tension Bow (98" + corners)
4	76820	Tension Bow End Tab
5	76800	90° Corner
6	18214	5/16" x 1 3/4" Hex Head Bolt
7	18613	5/16" Nylock
8	18293	1/2" x 3/8" Set Screw
9	18631	1/2" Nylock Nut
10	18130	1/2" x 1-1/4" Ribbed Neck Carriage Bolt



Prices are listed as each unless otherwise indicated.  
All prices subject to change without notice.

**Roll-Rite® — Clearly the Best.**  
**1-800-297-9905**