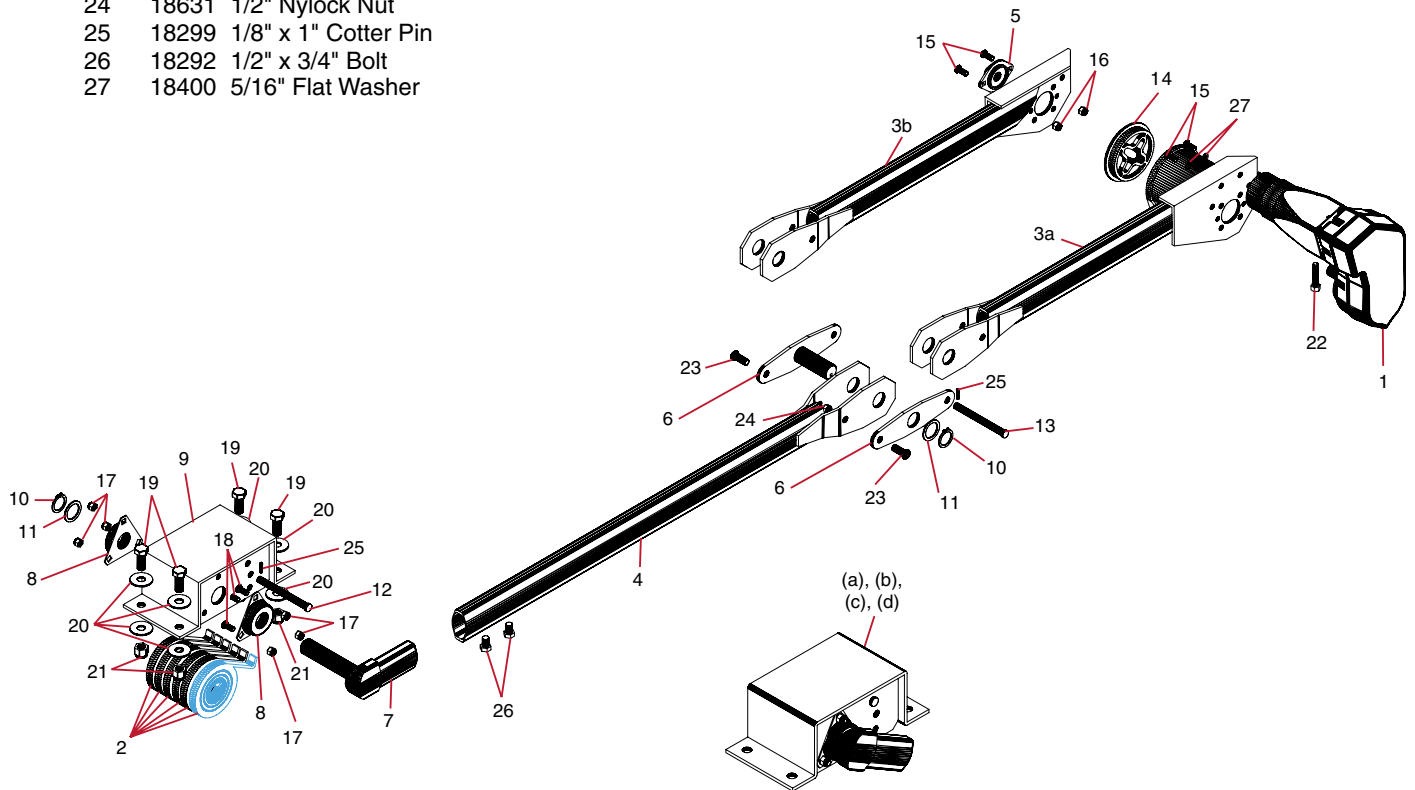


Dual Arm Power Kit Parts for Crushed Car Hauler

Includes: 37600

| Ref# | Part# | Description |
|------|-------|--|
| (a) | 46470 | Assembled 6-Spring Top Mount Pivot w/o Tube (Driver Side) |
| (b) | 46480 | Assembled 6-Spring Top Mount Pivot w/o Tube (Passenger Side) |
| (c) | 46490 | Assembled 5-Spring Top Mount Pivot w/o Tube (Driver Side) |
| (d) | 46500 | Assembled 5-Spring Top Mount Pivot w/o Tube (Passenger Side) |
| 1 | 10200 | Gear Motor, TarpStretcher |
| 2 | 47230 | Spiral Torsion Spring (Fits All Roll-Rite Pivots w/ 1 1/4" Pivot Pins) |
| 3a | 46890 | Upper Pivot Tube w/ Side Plates and Brackets for Knuckle Pivot (3 Spring Front) |
| 3b | 47890 | Upper Pivot Tube w/ Side Plates and Brackets for Knuckle Pivot (3 Spring Back) |
| 4 | 48980 | Custom Length Base Pivot Tube for Crushed Car Hauler Pivot (3 Spring, Each, Specify Length) |
| 5 | 31050 | 3/4" Axle Bearing w/ Flanges (Includes Mounting Bolts) |
| 6 | 47960 | 3 Spring Knuckle Pin w/ Stop Plate for Side-to-Side Knuckle Pivots (Motor End Front or Back) |
| 7a | 46360 | Pivot Pin for 6-Spring Roller Bearing Pivot (Driver Side/Front) |
| 7b | 46370 | Pivot Pin for 6-Spring Roller Bearing Pivot (PassSide/Rear) |
| 8 | 47800 | 1 1/4" Carrier Bearing w/ Triangular Flange for Roller-Bearing Pivots (Each) |
| 9 | 46400 | Bracket for 5 & 6-Spring Top Mount Pivots (Each) |
| 10 | 47000 | Snap Ring for Pivot Pins |
| 11 | 47010 | Machinery Bushing for Pivot Pins |
| 12 | 18540 | 1/2" x 5-1/4" Clevis Pin for 6 spring box |
| 13 | 18530 | 1/2" x 4-3/8" Clevis Pin |
| 14 | 37570 | Axle Stabilizer Bushing for Standard Axle |
| 15 | 18210 | 5/16" x 7/8" Button Heads |
| 16 | 18613 | 5/16" Nylock Nut |
| 17 | 18625 | 3/8" Nylock Nut |
| 18 | 18240 | 3/8" x 7/8" Button Head Bolt |
| 19 | 18710 | 5/8" x 1 1/2" Bolt |
| 20 | 18414 | 5/8" USS Flat Washer |
| 21 | 18635 | 5/8" Nylock Nut |
| 22 | 18290 | 3/8" x 2 1/2" grade 8 bolt |
| 23 | 18295 | 1/2" x 1 1/4" Button Head Bolt |
| 24 | 18631 | 1/2" Nylock Nut |
| 25 | 18299 | 1/8" x 1" Cotter Pin |
| 26 | 18292 | 1/2" x 3/4" Bolt |
| 27 | 18400 | 5/16" Flat Washer |



Please call for standard and special hardware pricing.
All prices subject to change without notice.

Roll-Rite® — We Fit.
1-800-297-9905