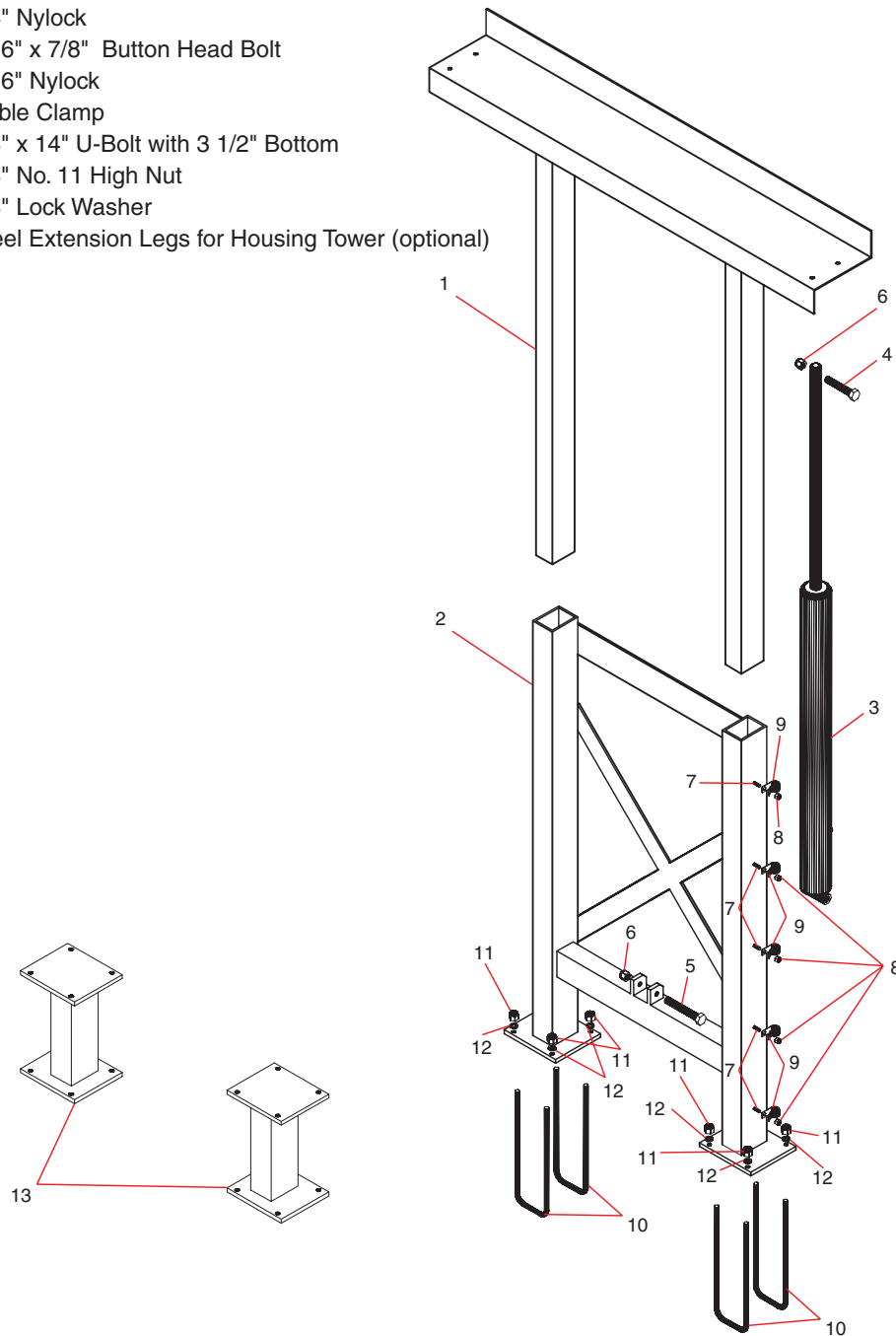


Housing Tower — From Towers p. 9

Diagram Covers the Following Tower from p. 9:
39020, 39320 Steel Housing Towers

Ref#	Part#	Description
1a	39160	Top Half of the Steel Housing Tower (32-1/2" mounting width)
1b	39360	Top Half of the Steel Housing Tower (54" mounting width)
2a	39170	Bottom Half of the Steel Housing Tower (32-1/2" mounting width)
2b	39370	Bottom Half of the Steel Housing Tower (54" mounting width)
3	39040	Hydraulic Cylinder for Housing Tower (optional)
4	18720	3/4" x 4" Bolt
5	18721	3/4" x 5" Bolt
6	18640	3/4" Nylock
7	18210	5/16" x 7/8" Button Head Bolt
8	18613	5/16" Nylock
9	16340	Cable Clamp
10	18714	5/8" x 14" U-Bolt with 3 1/2" Bottom
11	18636	5/8" No. 11 High Nut
12	18415	5/8" Lock Washer
13	39050	Steel Extension Legs for Housing Tower (optional)



Prices are listed as each unless otherwise indicated.
All prices subject to change without notice.

Roll-Rite® — Clearly the Best.
1-800-297-9905