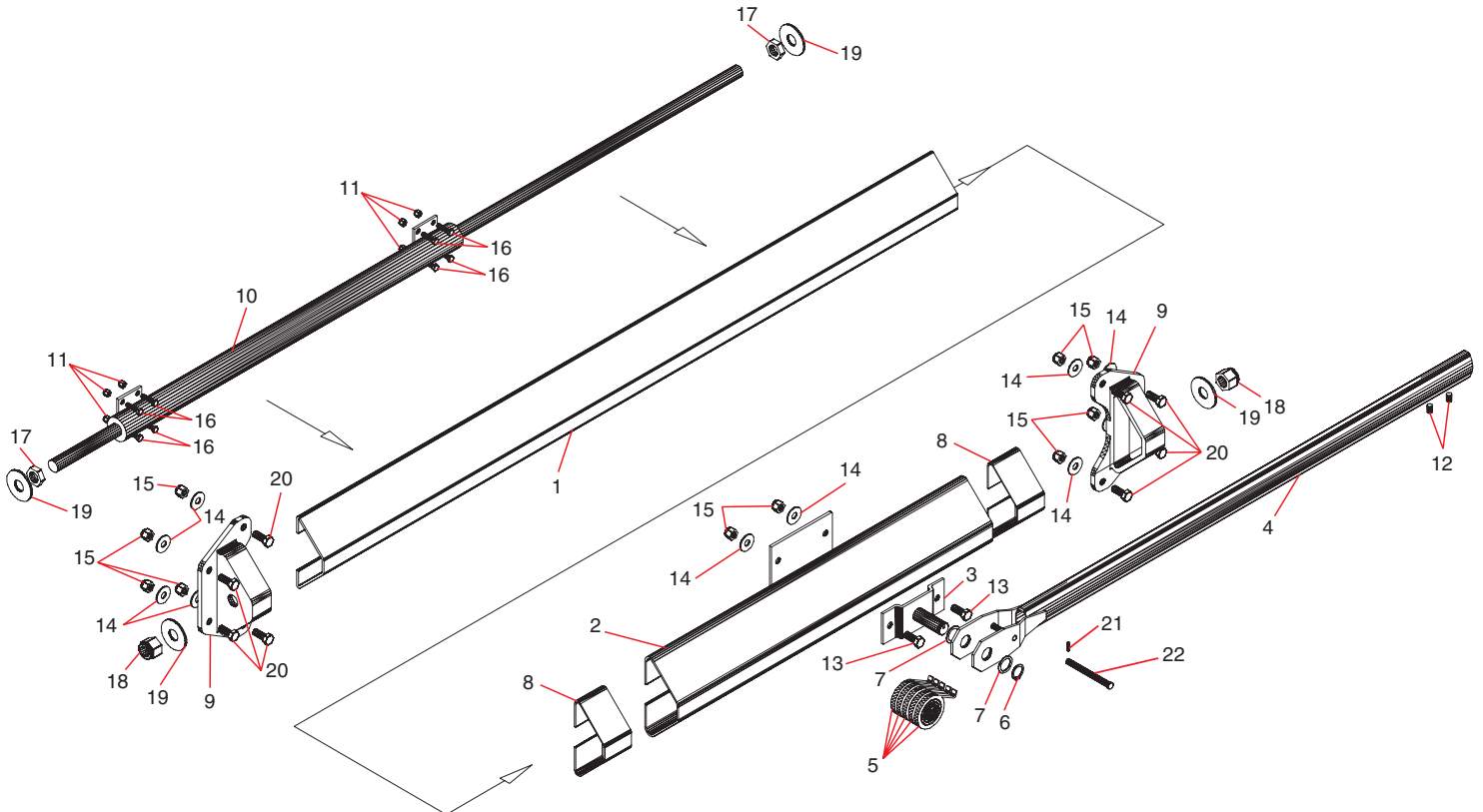


Sliding Pivot (Vertical Mount)

Diagram Covers the Following Pivot Sets from p. 6:

47700 3' Vertical Mount Sliding 5-Spring Pivot Set (for Luger Trucks)

Ref#	Part#	Description
1	47820	Inner Extrusion for 3' Sliding Pivot (Each)
2a	47760	Outer Extrusion w/ Pivot Bracket for 3' Vertical Mount Sliding Pivot (Driver Side)
2b	47770	Outer Extrusion w/ Pivot Bracket for 3' Vertical Mount Sliding Pivot (Passenger Side)
3	45350	5-Spring Pivot Pin for External Mount
4	46150	Pivot Tube w/ Side Plates and Set Screws for 5-Spring External Mount (Each)
5	47230	Spiral Torsion Spring (Fits All Roll-Rite Pivots w/ 1 1/4" Pivot Pins)
6	47000	Snap Ring for Pivot Pins
7	47010	Machinery Bushing for Pivot Pins
8	46740	Polymer Bushing for Roll-Off Pivot (Pair)
9	46750	Cast End Brackets for Sliding Pivot (Pair)
10	47780	Hydraulic Cylinder for 3' Sliding Pivot
11	18625	3/8" Nylock Nut
12	18293	1/2" x 3/87" Set Screw
13	18710	5/8" x 1 1/2" Bolt
14	18414	5/8" USS Flat Washer
15	18635	5/8" Nylock Nut
16	18286	3/8" x 1 1/2" Bolt
17	18646	1 1/8" x 1/2" Jam Nut
18	18645	1 1/8" Nylock
19	18420	1 1/8" SAE Flat Washer
20	18711	5/8" x 1 3/4" Bolt
21	18560	1/2" x 4-1/8" Clevis Pin (For 5-Spring Pivot Only)
22	18299	1/8" x 1" Cotter Pin (For 5-spring Pivot Only)



Roll-Rite® — Clearly the Best.

1-800-297-9905