

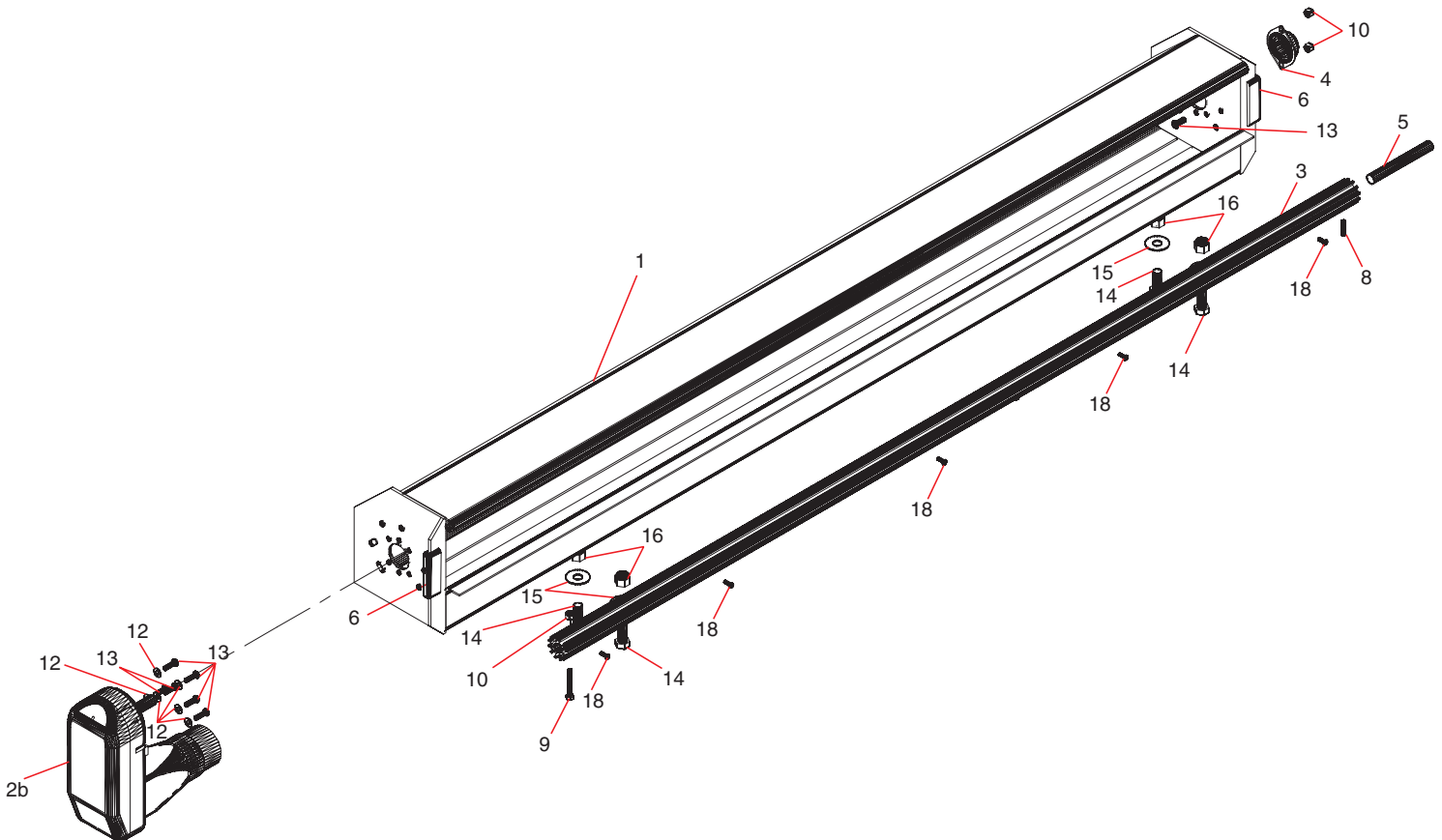
Super Duty Spool with Housing

Diagram Covers the Following Spool Kits from p. 8:

36090, 36140 Tarp Spool w/ Housing and Super Duty Gear Motor

36095, 36145 Tarp Spool w/ Housing and Super Duty Gear Motor (No Switchgear, 20ft Wire)

Ref#	Part#	Description
1a	36150	92" Tarp Spool Housing (Shell Only)
1b	36160	98" Tarp Spool Housing (Shell Only)
1c	36170	104" Tarp Spool Housing (Shell Only)
2b	10120	Gear Motor, Super Duty
3a	31020	91" Pre-Threaded Tarp Axle w/ Stub Shaft
3b	31030	97" Pre-Threaded Tarp Axle w/ Stub Shaft
3c	31040	103" Pre-Threaded Tarp Axle w/ Stub Shaft
4	31050	3/4" Axle Bearing w/ Flanges (Each, Includes Mounting Bolts)
5	10160	3/4" x 5 1/2" Axle Stub Shaft
6	36300	Rubber Bumper for Tarp Spool
8	18370	5/16" x 1 1/4" Spring Pin
9	18280	5/16" x 2 1/2" Bolt
10	18613	5/16" Nylock Nut
12	18400	5/16" Flat Washer
13	18210	5/16" x 7/8" Button Head Bolt
14	18710	5/8" x 1 1/2" Hex Head Bolt
15	18414	5/8" USS Flat Washer
16	18635	5/8" Nylock Nut
18	18260	5/16" x 5/8" Button Head



Roll-Rite® — Clearly the Best.

1-800-297-9905

Prices are listed as each unless otherwise indicated.
All prices subject to change without notice.